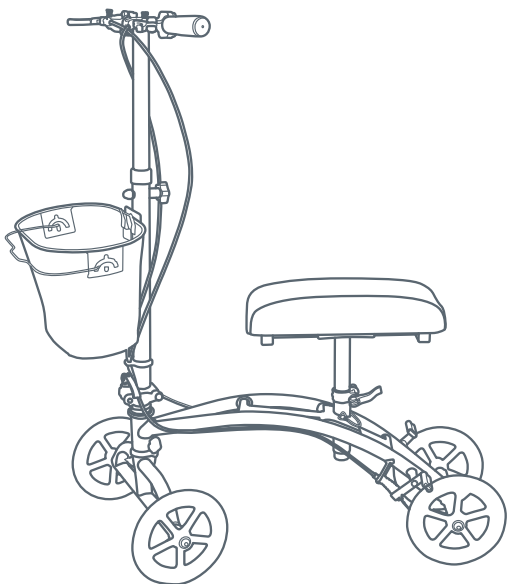




Instruction Manual

Deluxe Knee Scooter with Basket

MOB100



Instructions

SAVE THESE INSTRUCTIONS

NOTE TO DEALER

These instructions **MUST** be given to the user of this product.

NOTE

Check all parts for shipping damage. If shipping damage is noted, **DO NOT USE**. Contact place of purchase for further instructions.

WARNING

- DO NOT install or use this equipment without first reading and understanding this manual. If you have any questions about the warnings, cautions, or instructions, contact your place of purchase, healthcare professional, or technical personnel before attempting to assemble or use this equipment; otherwise, injury or damage may occur.
- Each user should **ALWAYS** consult with their physician or therapist to determine proper adjustment and usage.
- A physical/occupational therapist should assist in the height adjustment of the knee scooter for maximum support.
- Care should be taken to ensure that all parts of the knee scooter are secure and the wheels are in good working order before use.
- DO NOT sit on the knee scooter.
- DO NOT use the knee scooter as a wheelchair or transport device.
- **ALWAYS** observe the weight limit on the labeling of your product
- If the handle is exposed to extreme temperatures (above 100°F/38°C or below 32°F/0°C), high humidity, and/or becomes wet prior to use, ensure the hand grips **DO NOT** freely twist on the handle; otherwise, injury may occur.
- DO NOT attempt to reach objects that are out of your immediate reach while using this device.
- DO NOT reach for objects if you have to lean or shift position on the knee pad.
- DO NOT hang anything from the frame of the knee scooter. Items should be placed in the basket. Items should not protrude from the basket, otherwise, injury or damage may occur. The basket can hold up to 10 lbs/4.5 kg.

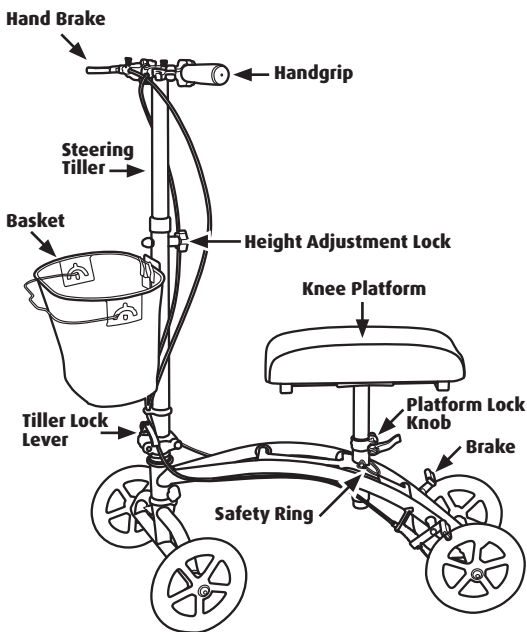
LIMITED WARRANTY

PLEASE NOTE: THE WARRANTY BELOW HAS BEEN DRAFTED TO COMPLY WITH FEDERAL LAW APPLICABLE TO THIS PRODUCT.

This warranty is extended only to the original purchaser/user of our products. This warranty gives you specific legal rights and you may also have other legal rights which vary from state to state. Sunset Healthcare Solutions warrants the frame only to be free from defects in materials and workmanship for three (3) years, and all other components for one (1) year for the original purchaser. If within such warranty period any such product shall be proven to be defective, such product shall be replaced. This warranty does not include any labor or shipping charges incurred in replacement part installation or repair of any such product. Sunset Healthcare Solution's sole obligation and your exclusive remedy under this warranty shall be limited to such replacement. For warranty service, please contact the dealer from whom you purchased your MOB100 Deluxe Knee Scooter.

LIMITATIONS AND EXCLUSIONS: THE WARRANTY SHALL NOT APPLY TO PROBLEMS ARISING FROM NORMAL WEAR OR FAILURE TO ADHERE TO THE ENCLOSED INSTRUCTIONS. IN ADDITION, THE FOREGOING WARRANTY SHALL NOT APPLY TO LOT NUMBERED PRODUCTS IF THE LOT NUMBER HAS BEEN REMOVED OR DEFACED; PRODUCTS SUBJECTED TO NEGLIGENCE, ACCIDENT, IMPROPER OPERATION, MAINTENANCE, OR STORAGE; OR PRODUCTS MODIFIED, NOT LIMITED TO: MODIFICATION THROUGH THE USE OF UNAUTHORIZED PARTS OR ATTACHMENTS; PRODUCTS DAMAGED BY ATTEMPTS TO REPAIR ANY COMPONENT BY ANYONE OTHER THAN A DEALER, DAMAGE BY CIRCUMSTANCES BEYOND CONTROL; SUCH EVALUATION SHALL BE SOLELY DETERMINED BY SUNSET HEALTHCARE SOLUTIONS. THE FOREGOING EXPRESS WARRANTY IS EXCLUSIVE AND IN LIEU OF ANY OTHER EXPRESS WARRANTIES WHATSOEVER, WHETHER EXPRESS OR IMPLIED, INCLUDING THE IMPLIED WARRANTIES OF MERCHANTABILITY AND FITNESS FOR A PARTICULAR PURPOSE AND THE SOLE REMEDY FOR VIOLATIONS OF ANY WARRANTY WHATSOEVER, SHALL BE LIMITED TO REPAIR OR REPLACEMENT OF THE DEFECTIVE PRODUCT PURSUANT TO THE TERMS CONTAINED HEREIN. THE APPLICATION OF ANY IMPLIED WARRANTY WHATSOEVER SHALL NOT EXTEND BEYOND THE DURATION OF THE EXPRESS WARRANTY PROVIDED HEREIN. SUNSET HEALTHCARE SOLUTIONS SHALL NOT BE LIABLE FOR ANY CONSEQUENTIAL OR INCIDENTAL DAMAGES WHATSOEVER. THIS WARRANTY SHALL BE EXTENDED TO COMPLY WITH STATE/PROVINCIAL LAWS AND REQUIREMENTS.

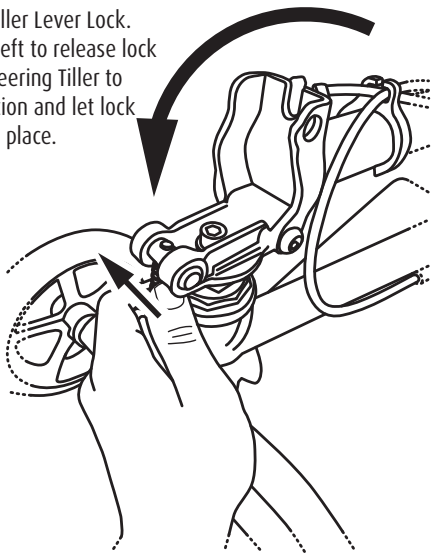
The Deluxe Knee Scooter is a mobility device to be utilized during your recovery from foot or ankle surgery or injury. If you have any questions, please contact your local healthcare provider for assistance. Failure to do so may result in injury.



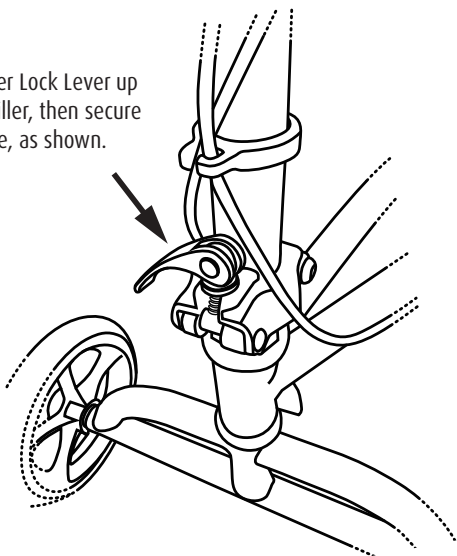
Assembly

Unpack the knee scooter components from the carton. The Knee Platform will be stored beneath the frame and the Steering Tiller will be collapsed.

Locate the Tiller Lever Lock.
Push to the left to release lock
pin. Raise Steering Tiller to
upright position and let lock
pin click into place.

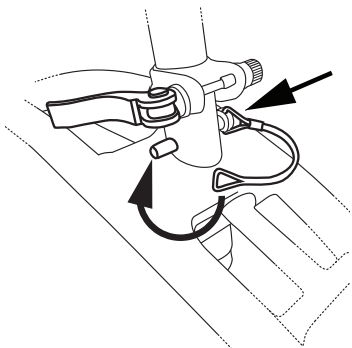
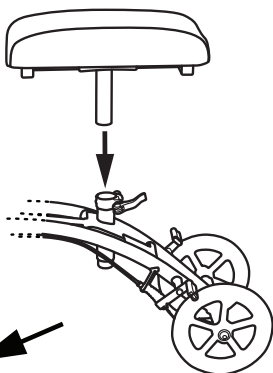


Pivot Tiller Lock Lever up
toward tiller, then secure
it in place, as shown.

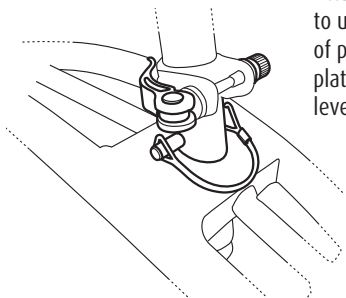


Insert Knee Platform post into the holster at the center of the scooter frame and adjust to desired height.

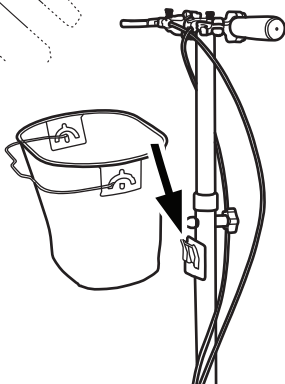
Insert pin into post hole to hold Knee Platform in place.



Attach Safety Ring to untethered side of pin. Position platform clamp lever as shown.



Attach Basket to Steering Tiller by aligning slots with frame hooks and pushing down.



To Use

Position shin of injured leg on the center of the knee platform, with knee placed toward the steering tiller. Foot should point toward the ground.

Stand up straight using standing leg. If needed, adjust knee pad or handlebar height. Take small steps with standing leg when first acclimating to scooter.

Activate the parking lock by squeezing in either of the handbrake levers while pressing and holding down the respective spring-loaded pin. Release brake lever. Pin should remain in place. To release the parking lock, squeeze the brake lever until pin pops back up, and release brake lever.

Adjusting your Scooter

Brakes

To tighten the brake, turn the cable adjustment knob counterclockwise. To loosen the brake, turn it clockwise. For additional adjustment, use an allen wrench to adjust the screw next to the brake lock. To tighten, turn clockwise, to loosen, turn counter clockwise.

Handles

Adjust handle height with the Height Adjustment Knob. Turn counterclockwise to remove. Raise or lower the handle to desired height and replace adjustment knob, tightening until snug.

Knee Platform

Loosen the Platform Lever and Lock. At the base of the Knee Platform pole, remove the Safety Ring from untethered side of pin, and remove pin from post hole. Raise or lower knee platform to desired height, then replace pin and reattach the Safety Ring. Retighten the Lever and Lock to secure platform.

Tiller Lever and Lock

To fold the unit for travel or storage, loosen the Tiller Lever and pivot the lever pin assembly out of the tiller base plate. Let the lever drop down. Next, fold the tiller down onto the Knee Platform.

Additional Cautions

- The Deluxe Knee Scooter is not a toy. Do not allow children to operate.
- Only use Deluxe Knee Scooter after you have trained with a healthcare professional or provider. Do not attempt a new maneuver without consulting your provider or healthcare professional.
- Ensure that one foot is on the ground when operating the scooter.
- Only use scooter on solid surfaces and avoid riding over obstacles. Use caution if navigating uneven surface.
- Use scooter at walking speed only, and exercise extreme caution when turning or approaching an incline.
- Regularly check scooter brake and seat fasteners for security and contact provider if components show deterioration.