



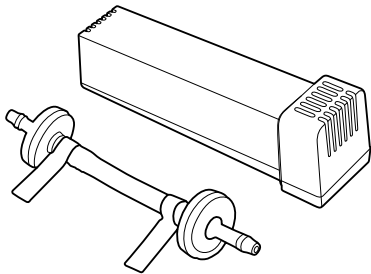
Manufactured for
Sunset Healthcare Solutions
180 N Michigan Ave Ste 2000
Chicago, IL 60601

IFU-00038 Rev 2.02
2021-02-18

Instruction Manual

Filter and Check Valve Kit for SoClean 2 CPAP Cleaning Device

CAP1007S-KIT



This product is not made, authorized, or endorsed by SoClean, Inc., but is warranted by Sunset Healthcare Solutions, Inc. to fit and work in the SoClean 2 CPAP cleaning device.

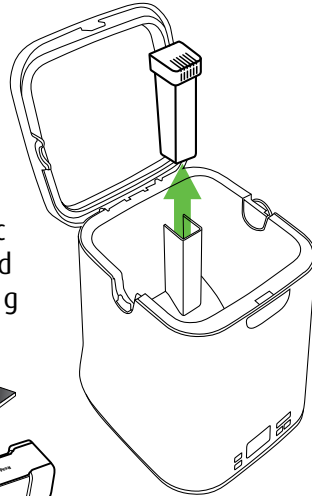
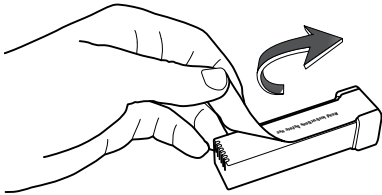
Replace filter

Replace the filter and check valve every six months, when the SoClean prompt shows on the display.

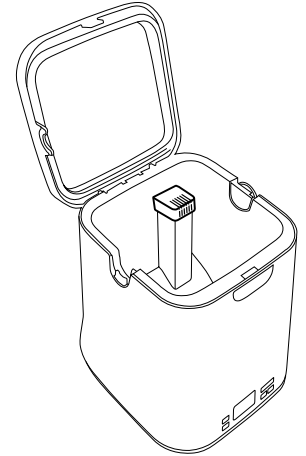
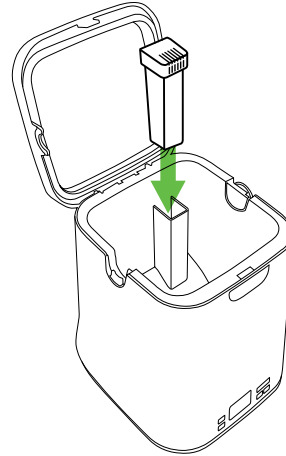
! You MUST use the filter to prevent harmful unconverted ozone from entering air.

1 Remove old filter by pulling up from the filter holster. Dispose of old filter in household trash.

2 Completely remove plastic tape from new filter and wipe off any remaining charcoal residue.

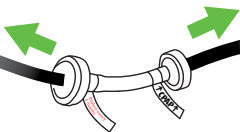


3 Place new filter into holster and press down until it is fully seated.

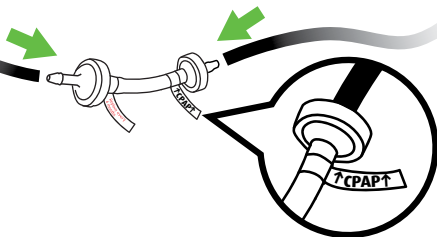


Replace check valve

- 1 Pull thin black injection tubes off of old check valve.



- 2 Put new check valve in place by ensuring firm connections.



It is important to ensure the **↑CPAP↑** arrows on the check valve are pointed toward the CPAP machine.

- 3 Reset the replacement timer by holding down the manual and hourglass buttons together until the SoClean shows a smiling face.

