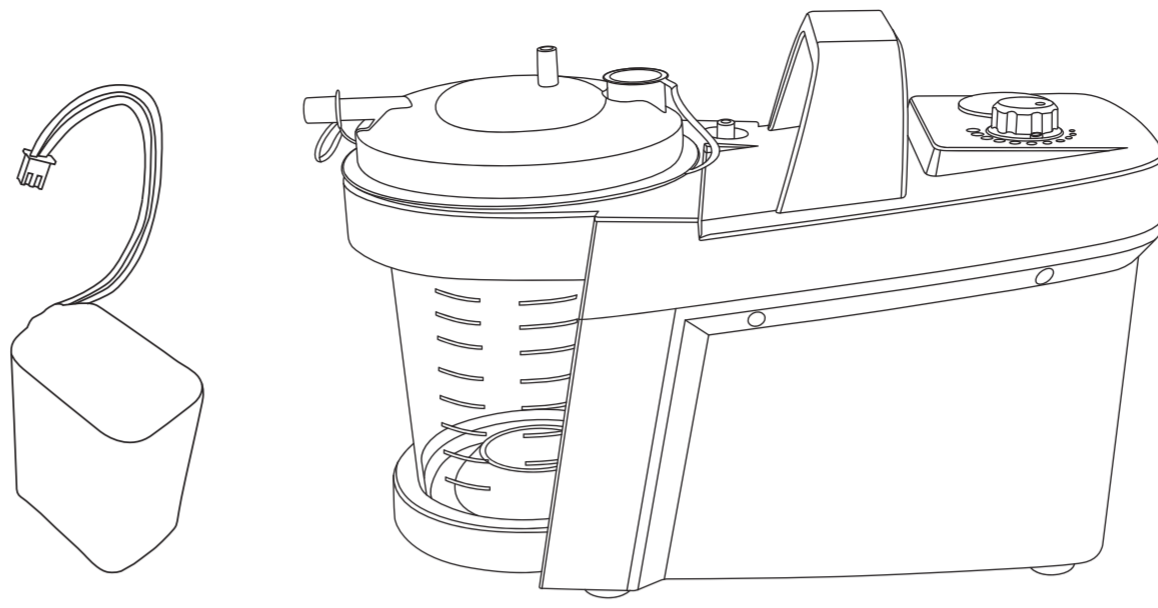
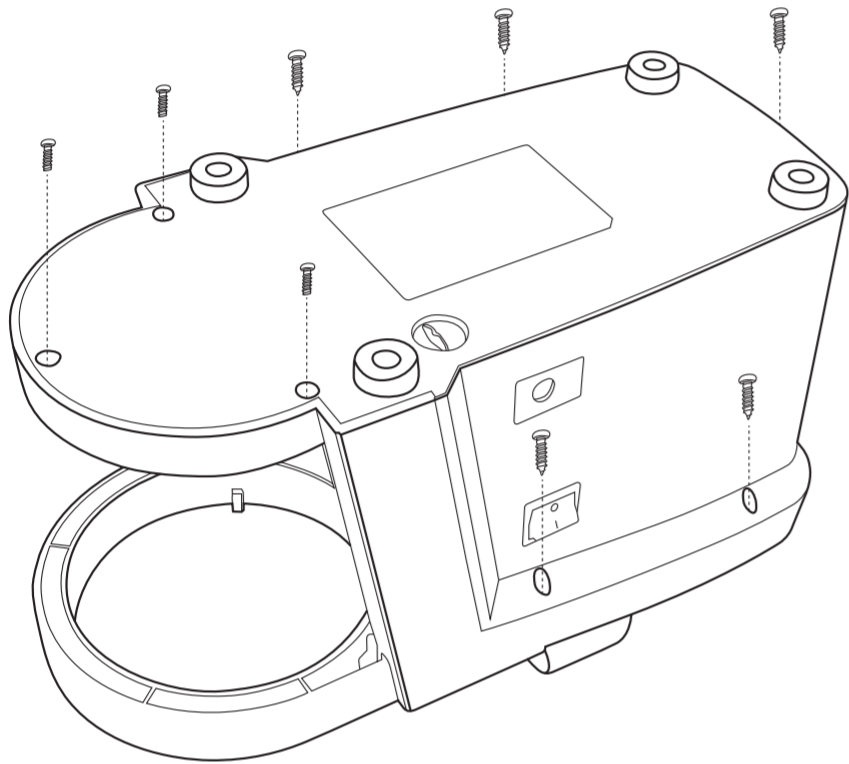


Replacement Battery for SU100DC Portable Suction Machine **SU100DC-BATTERY**

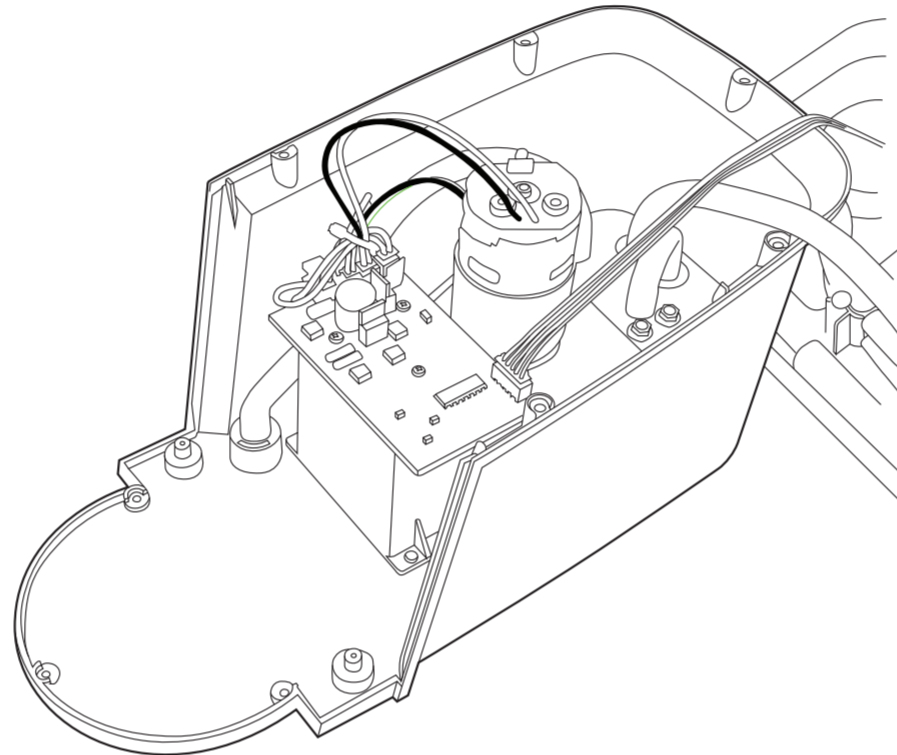


How to remove old battery and install replacement battery

- 1** Turn SU100DC Suction Machine upside-down. Remove the 8 screws as shown.



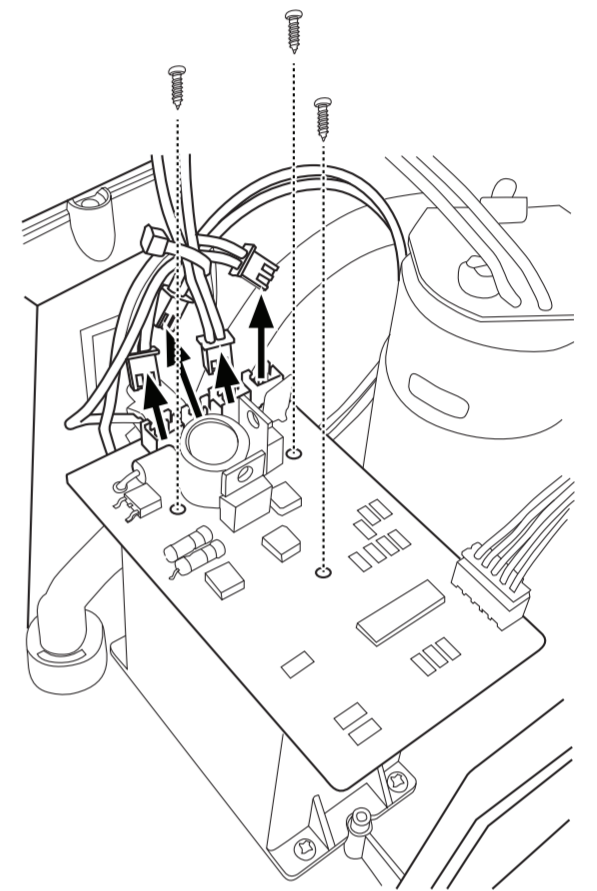
- 2** Carefully turn machine right side up again, and remove top of machine, placing to the side.



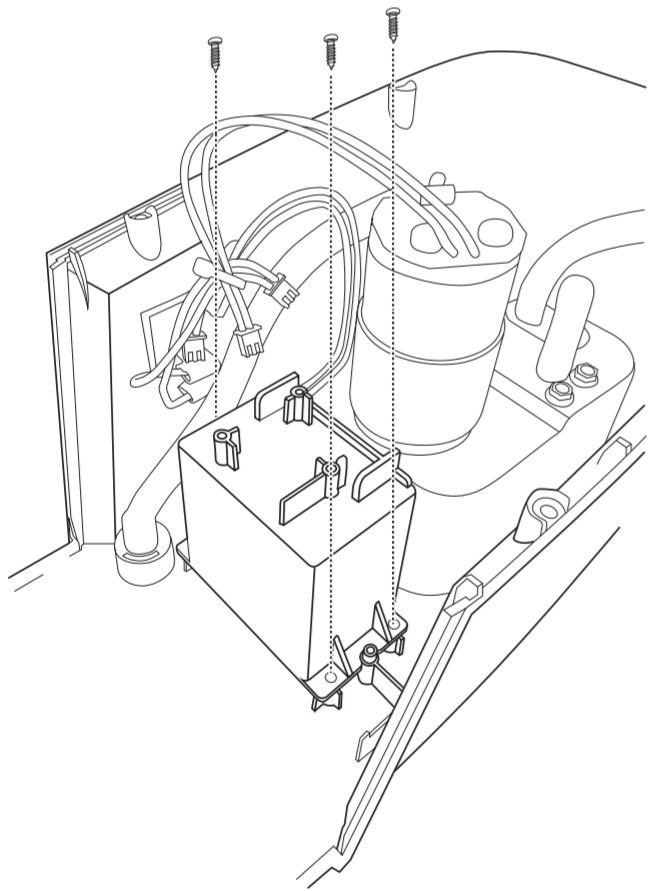
- 3** Unplug the 4 connection wire terminals from the circuit board and note the letters beneath the inputs:

SW: Switch
MOTOR: Motor
BT: Battery
DCIN: DC power jack

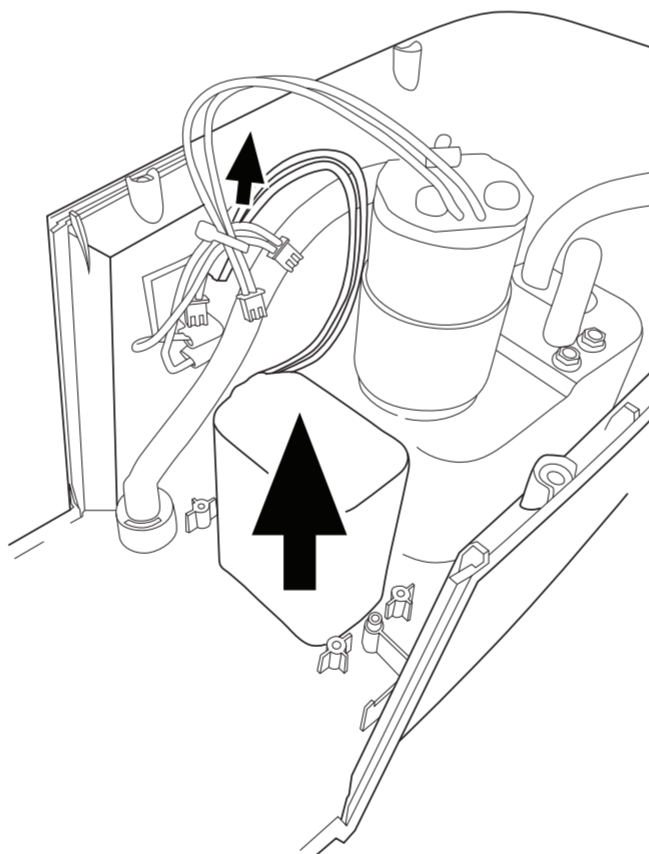
Remove the three screws as shown and remove circuit board to reach the white battery case beneath.



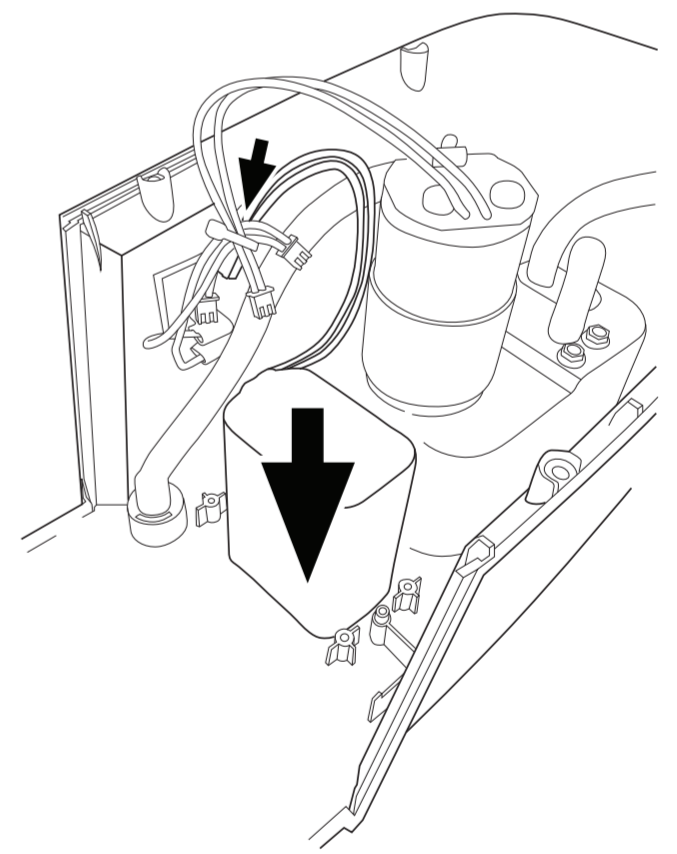
- 4** Remove the 3 screws from the battery case as shown, then remove battery case.



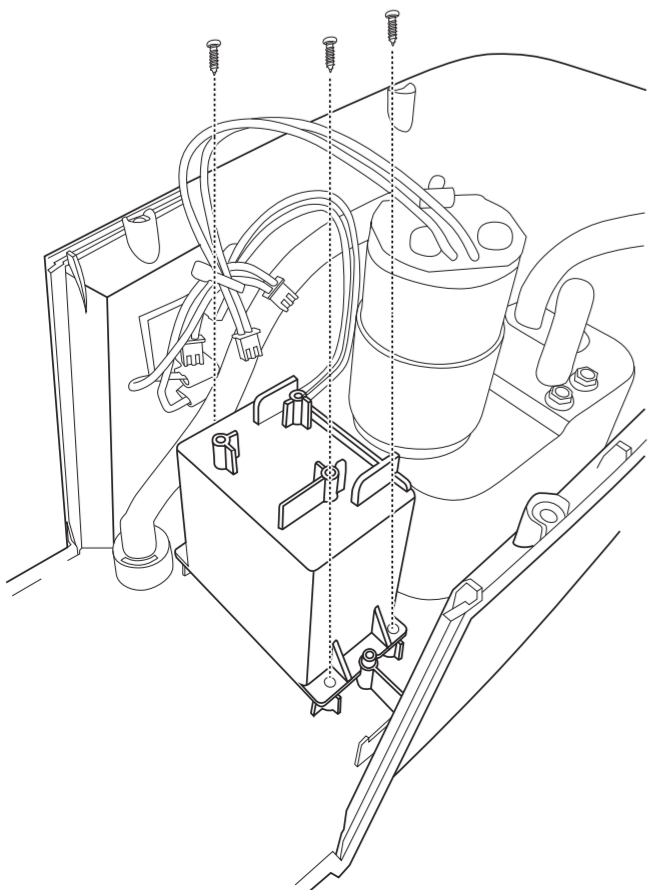
- 5** Remove the old blue battery including its attached wires.



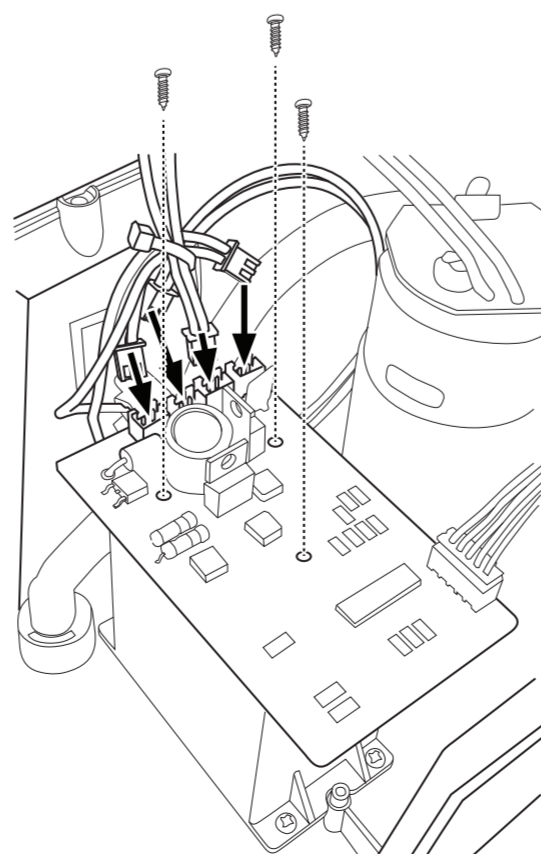
- 6** The new battery will also include replacement wires. Install new battery and wires in place of old battery.



- 7** Replace the white battery case with 3 screws as shown.



- 8** Replace the circuit board with 3 screws and plug the wires back in as shown.



- 9** Put top of machine back on, then turn machine upside-down to replace the 8 screws.

