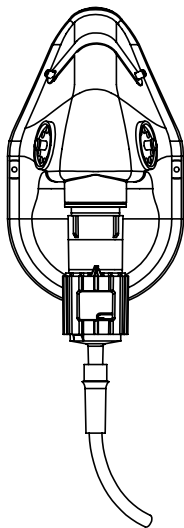




Instruction Manual

# High Concentration Lynx Venturi Oxygen Delivery System

**REF RES2401**



Sunset Healthcare Solutions  
141 W Jackson Blvd Ste 1950  
Chicago IL 60604  
[www.sunsethcs.com](http://www.sunsethcs.com)  
MADE IN CHINA

IFU-00086 REV 1.01  
2024-08-26

## Symbol Glossary



Caution: U.S.A. federal law restricts this device to sale by or on the order of a physician or licensed practitioner.



Not made with natural rubber latex



Do Not Sterilize • Clean, Ready to Use



Single Use



Expiration Date



Consult Instructions for Use



DEHP

Contains Phthalates



Manufacturer

## Cautions and Indications for Use

**Caution:** Re-processing of products intended for single use only, may result in degradation in performance or loss of functionality. Re-use of single use only products may result in exposure to viral, bacterial, fungal or prionic pathogens. Validated cleaning and sterilization methods and instructions for reprocessing to original specifications are not available for these products. This product is not designed to be cleaned, disinfected or sterilized.

**Caution:** Be sure all connections are secure.

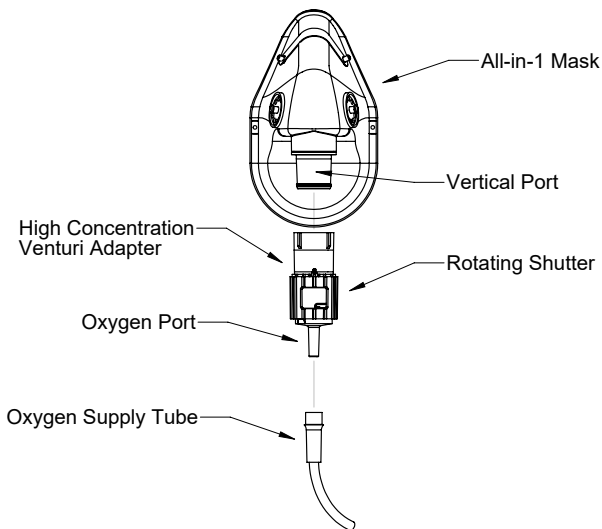
**Indications for Use:** The Lynx Venturi System is intended to be used to administer oxygen only. The Lynx Venturi System is for single use only.

## Instructions for Use

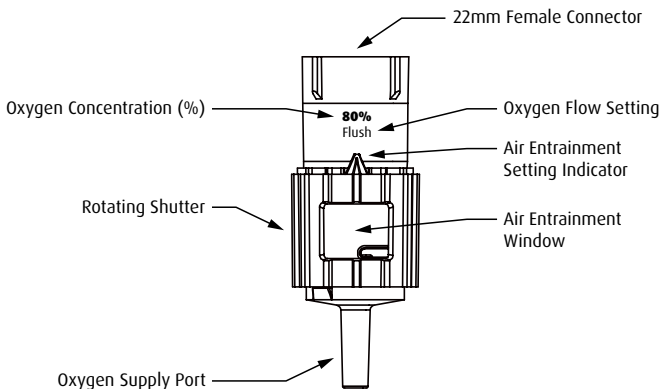
(Reference graphic below)

### For Oxygen Delivery Only

1. Attach High Concentration Venturi Adapter to vertical port of All-in-1 Mask.
2. Place All-in-1 Mask on patient's face over the nose and mouth and secure with elastic band provided with the mask.
3. Attach oxygen supply tube to oxygen port.
4. Adjust oxygen flow and rotating shutter in accordance with settings chart on Venturi Adapter and back cover of this insert for desired oxygen concentration.



## High Concentration Venturi Adapter



Settings Chart	
$\text{FiO}_2$ (%) Setting	Flow Rate
65	Flush
80	Flush
100	Flush

Flush: Rotate dial until the ball indicator reaches the top of flowmeter