

REF RES0270P



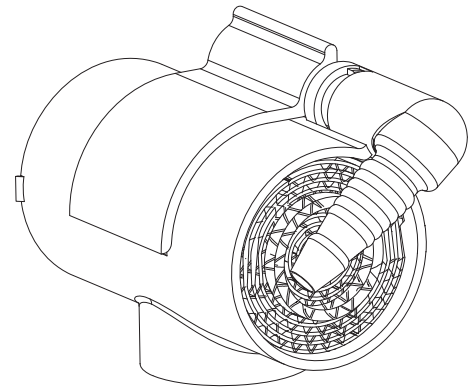
Tracheostomy Heat and Moisture Exchanger (HME) with Oxygen Port For Pediatric/Adult Use

Intended Use

The HME is disposable single-use device indicated for patient requiring humidification during the delivery of ventilator gases. The HME is for use in hospital, respiratory therapy, and homecare. The HME can be used on adult and pediatric patients. The HME is indicated for use only under the supervision of qualified medical personnel. The HME should be changed at least every 24 hours.

Technical data

Recommended tidal volume	150 - 1250 ml	
Pressure drop	at flow 30 L/min	0.2 cmH ₂ O
Internal volume	7 ml	
Moisture loss	(per ISO 9360 test procedure)	
	Tidal Volume = 250 ml	7.5 mg H ₂ O/L
	Tidal Volume = 500 ml	11.8 mg H ₂ O/L
Weight	7.4 g	
Connections	15F	



Instructions for use

Read these instructions carefully before using the product.
Place the HME onto the tracheostomy device connection piece.
For single patient use ONLY.
When used continuously, change the HME every 24 hours or more frequently as required.

Contraindications

The HME is contraindicated in patients producing fulmination, frothy secretions within their airway and lungs. The HME shall not be used on patient tidal volumes of less than 150ml, for example neonates.

Precautions

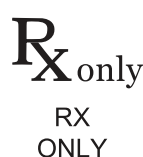
The HME shall be properly attached and checked for leakage prior to use.
Before use, verify that the HME has no occlusions and that air will flow through it.
During the use of the HME, the patient shall be monitored and proper airway care administered if complications arise.

Warning

The HME is designed for single patient use only and must not be cleaned and reused.

Storage

Store in a clean, cool, dry place in original wrapper.
Shelf life: Max. 3 years. Expiration date printed on the package.



Manufactured for
Sunset Healthcare Solutions
141 W Jackson Blvd Ste 1950
Chicago IL 60604
www.SunsetHCS.com

IFU-00112 REV 1.02
2025-01-24